

Paperpanzer.co.uk  
A7V Sturmpanzerwagen

Printing Instructions

This model has been designed to be printed on an A4 sheet of 120 – 160gsm card. All of the gun barrels can be difficult to roll into shape using card so would benefit from being printed on standard 80gsm paper.

Tools Needed

Scissors or Sharp Model Knife  
PVA Glue  
Ruler, toothpick & Paper clip

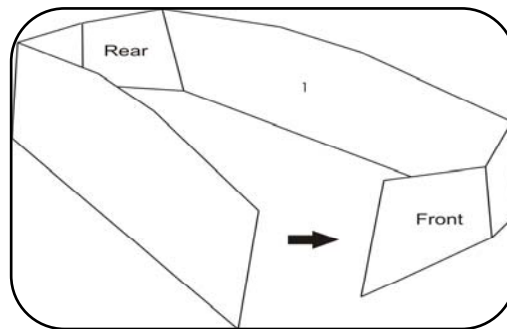
Model Construction

Cut line                    \_\_\_\_\_

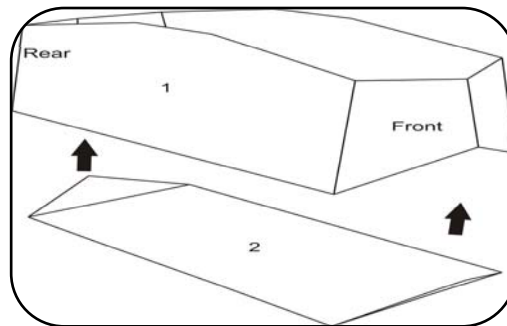
Ridge Fold Line        - - - - -

Attached Parts outline    .....  
.....

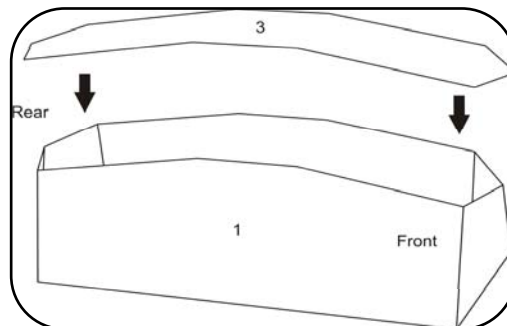
- 1,      Cut out the main body (Part 1) and score along the dotted lines. Bend to form the body shape and the flaps.



- 2,      Cut out the floor (Part 2) and score along the dotted lines. Bend the flaps into shape then bend the floor to match the bottom of the main body.

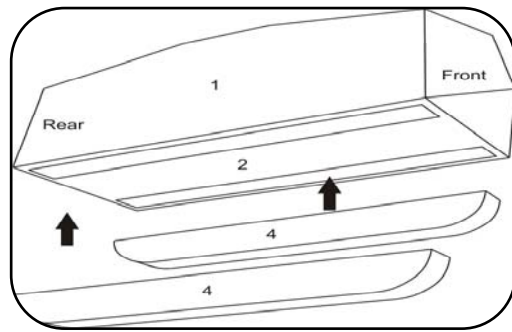


- 3,      Cut out the roof (Part 3) score along the dotted lines and bend into shape. Now attach it to the main body

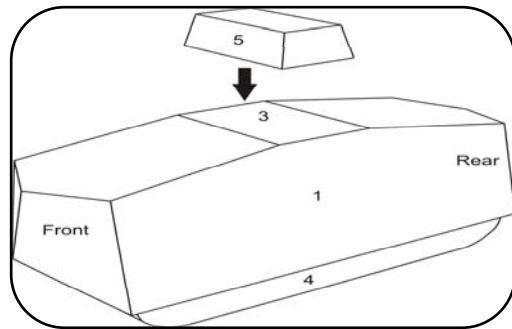


Paperpanzer.co.uk  
A7V Sturmpanzerwagen

- 4, Cut out the wheel and track assembly (part 4 x2) score, fold and glue together, and then attach to the main body.

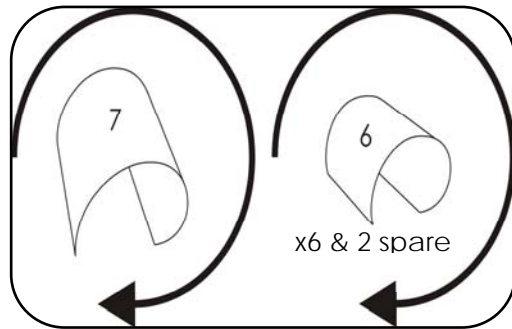


- 5, Cut out the command cupola (part 5) score, fold and glue together, and then attach to the main body.

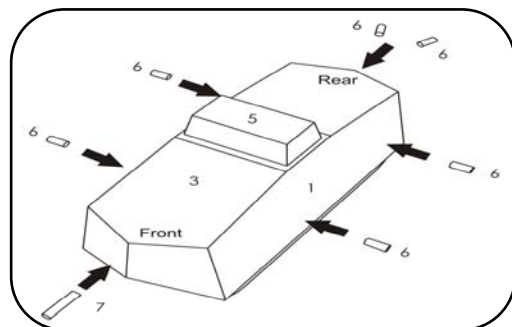


- 6, Cut out the six Machine guns and Main gun (parts 6 & 7). Roll to form tubes and glue to secure them.

Tip: Try using a pen to first to start to roll these parts into shape, then a tooth pick and finally a paper clip to ease the paper into shape without creases.



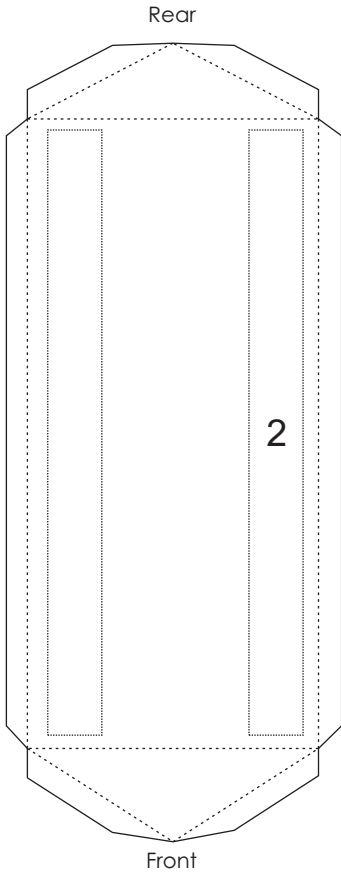
- 7, Finally attach the Machine guns and Main gun to the tanks body



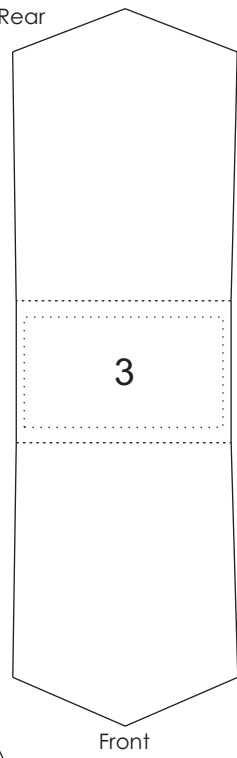
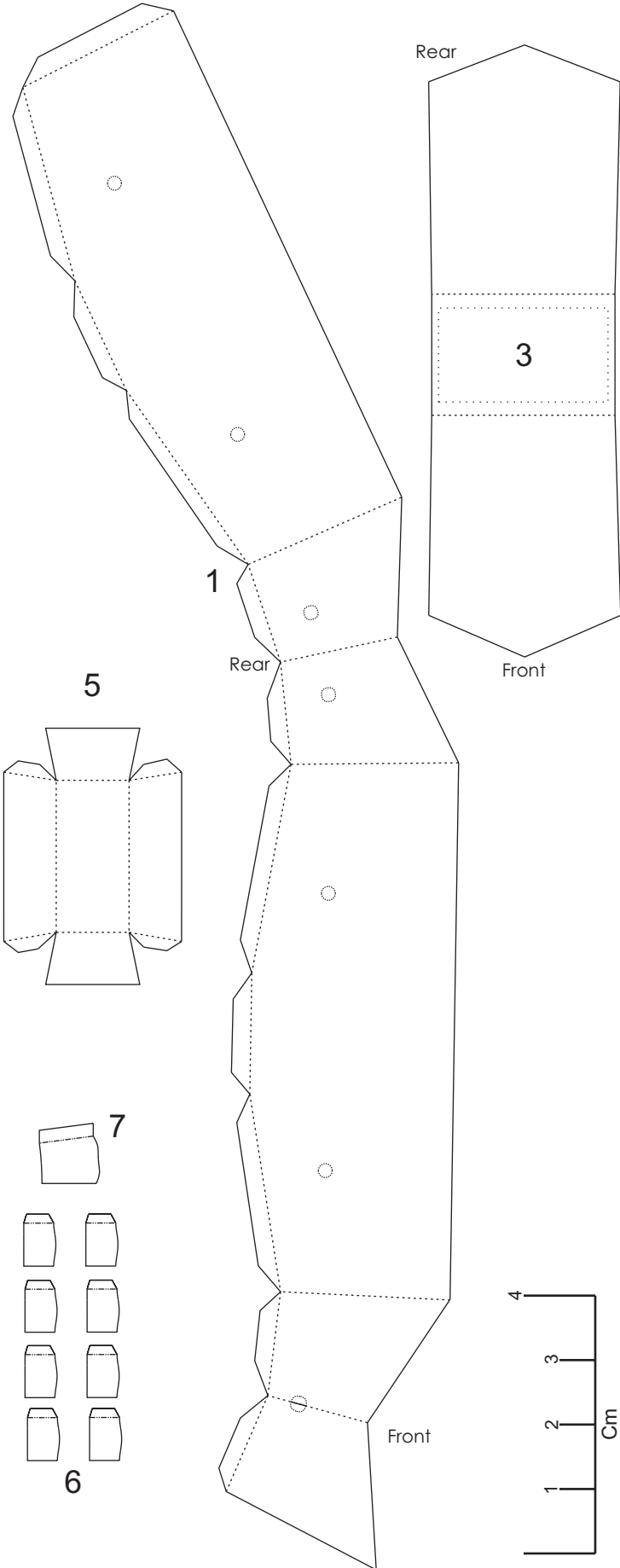
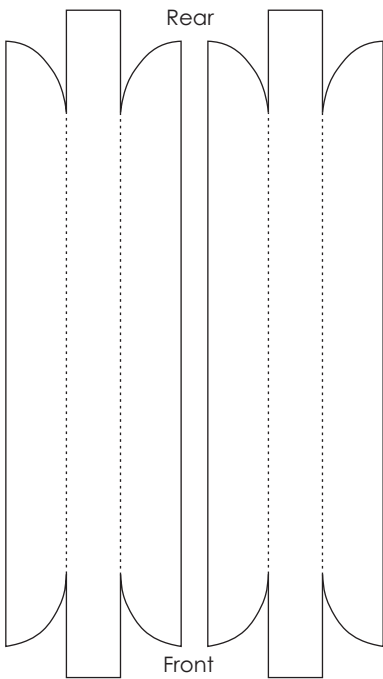
Finished

Paperpanzer.co.uk

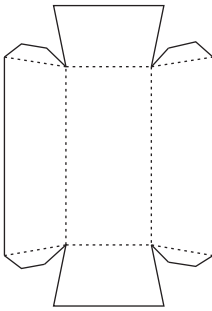
A7V  
Sturmpanzerwagen  
1/72 Scale



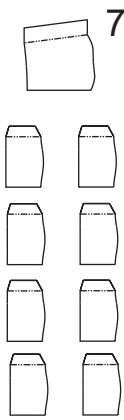
4



5



7



6

